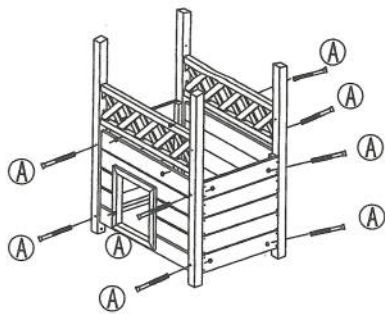
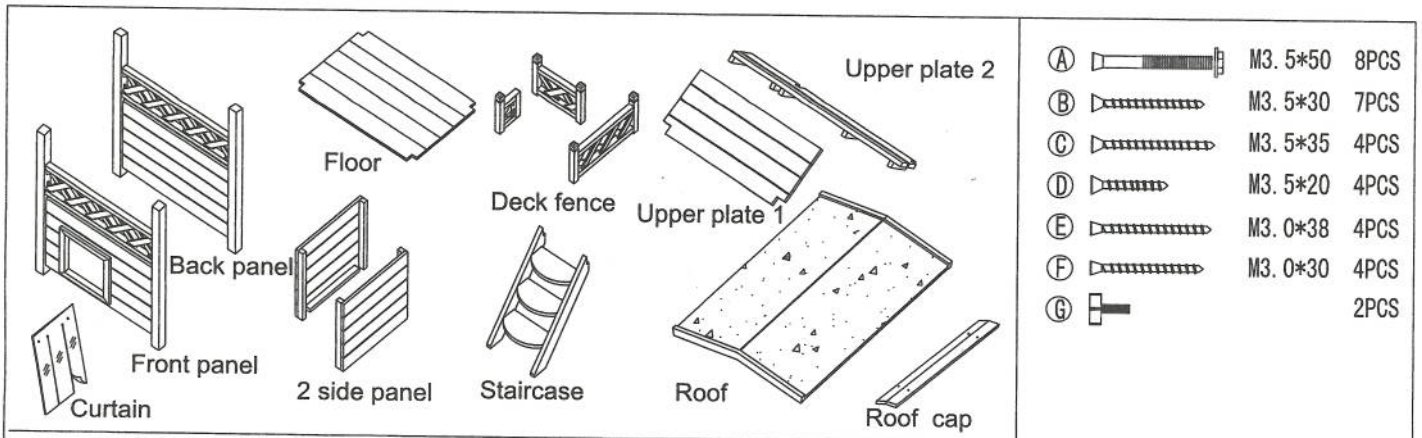
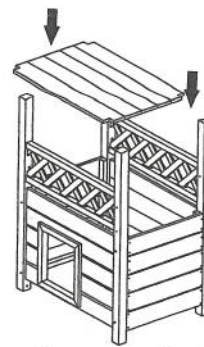


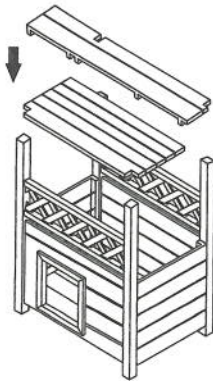
WOODEN CAT HOUSE ASSEMBLY INSTRUCTIONS



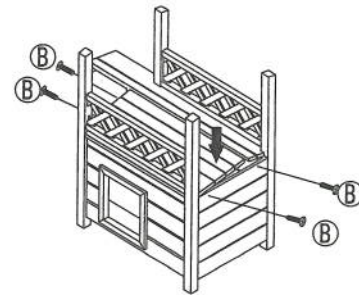
Step1: Install front, back, and side panels



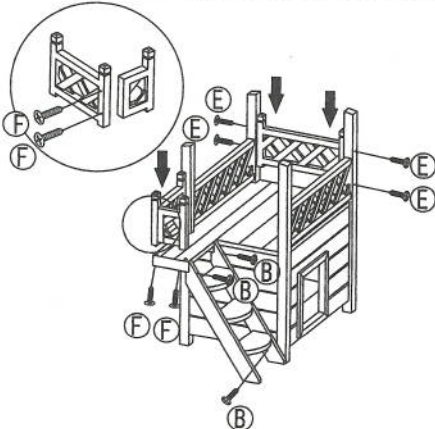
Step2: Place floor panel inside the house



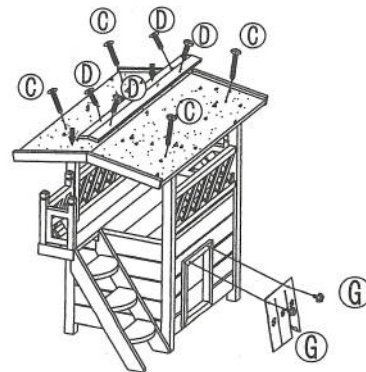
Step3: Place upper plate inside the house



Step4: Set up upper plate with screws



Step5: Secure deck fence on house and install staircase



Step6: Set up the roof, roofcap and curtain with screws